



**Electric Infrared  
Curing Solutions**

# AutoCure™ 7000

Side Mount Heater

The AutoCure™ 7000 Side Mount Heater provides energy in the infrared spectrum through the use of specially designed emitters and reflectors. This unit is engineered specifically to be mounted to a booth or wall when ceiling clearance is minimal. The Side Mount Heater incorporates ITW BGK patented control technology for process accuracy and consistency; and are completely wired, tested and built to industry acceptable standards.



## Patented Features:

### Laser-Sighting

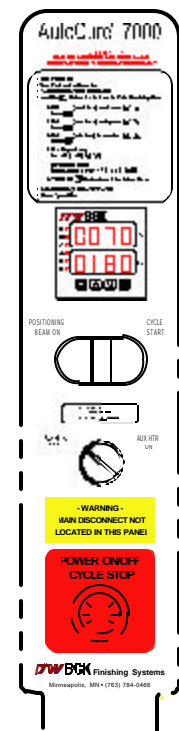
*Patent 5,335,308*

### Closed Loop Temperature Control

*Patent 5,050,232*

## Primary features are:

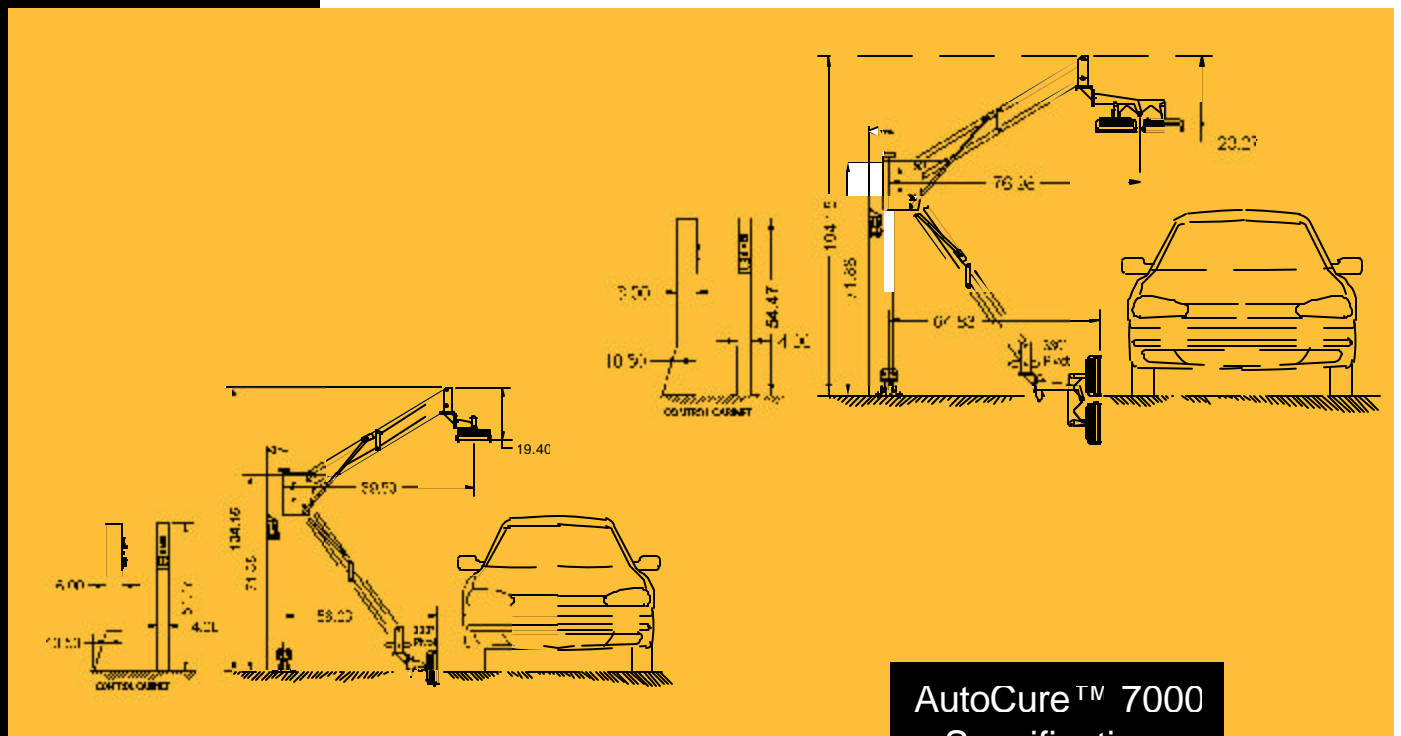
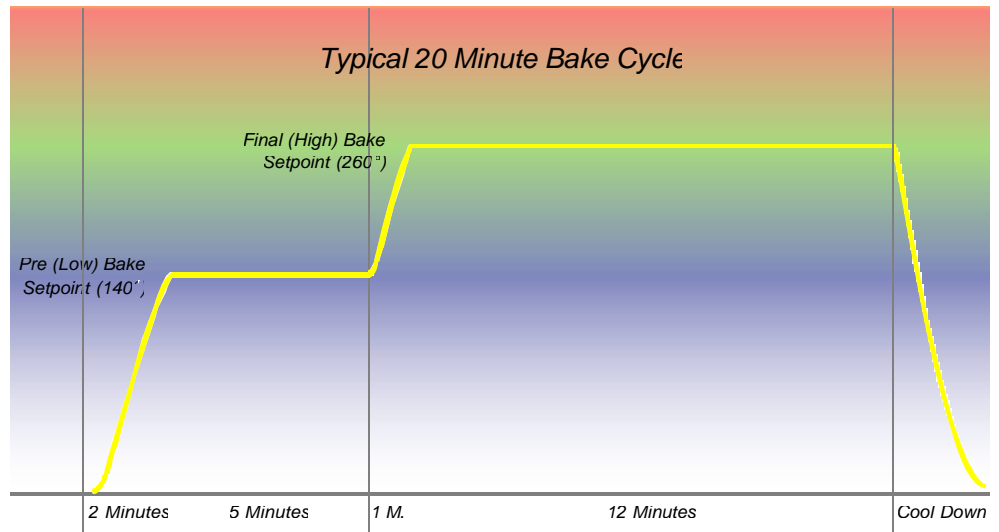
- Accurate to  $\pm 5^{\circ}\text{F}$
- Automatic control
- Automatic timed heat cycle
- Cycle-time-remaining display
- Automatic shut-off
- Heater remains in place without locking handles
- Single or dual temperature setpoint capability
- Heating range to  $400^{\circ}\text{F}$  ( $204^{\circ}\text{C}$ )



Control Panel



# AutoCure™ 7000



## AutoCure™ 7000 Specifications

**Curing Paint...  
It's What We Do.**

Copyright © ITW BGK Finishing Systems • 05/04

**ITW BGK Finishing Systems**  
4131 Pheasant Ridge Drive NE  
Minneapolis, MN 55449-7102  
Office (763) 784-0466  
Fax (763) 784-1362  
itwbkg.com

**ITW BGK**